

S4Q2 POWER UNIT

TECHNICAL DATASHEET

Production Tolerance : $\pm 5\%$

Stand-By (Maximum) Rating	Max.Torque	Fuel Consumption
26,1 kW (35,5 HP) / 1800 rpm	138 N.m (14 kg.m) / 1800 rpm	258 g/kW.h (190 g/HP.h) / 1800 rpm

Note : All datas are according to DIN6270B

MECHANICAL SYSTEM

Manufacturer	Mitsubishi / Japan
Engine Model	S4Q2
Type	4 cycle , Diesel , Naturally aspirated
Combustion Type	Swirl Chamber Type
Firing Order	1-3-4-2
Cylinder Number	4 cyl
Bore x Stroke	88 x 103 mm
Displacement	2,505 lt
Compression Ratio	22
Flywheel & Hsg	SAE 4/7,5"
Dry Weight	195 kg
Dimensions LxWxH	707x493x633 mm

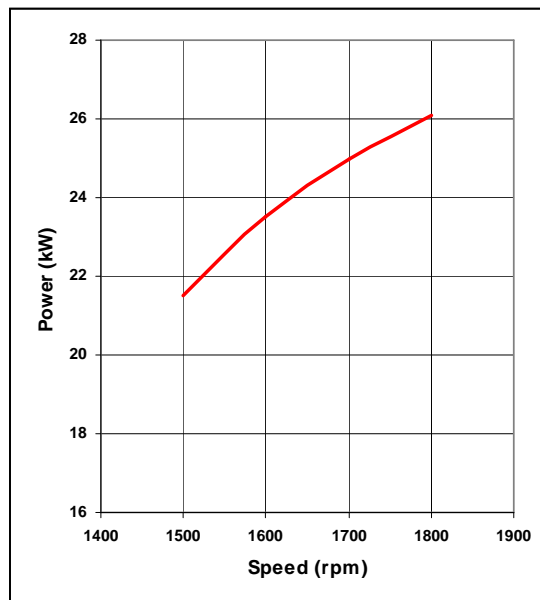
COOLING SYSTEM

Cooling Type	Water Cooled
Cooling Method	Forced circulation by Centrifugal Pump
Cooling Capacity	4,0 lt

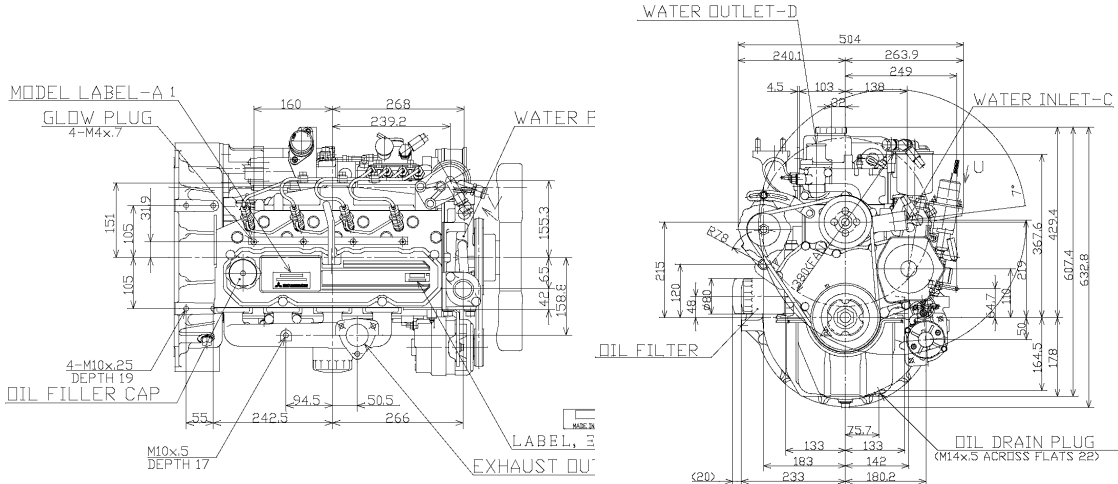
FUEL SYSTEM

Injection Pump	Bosch A Type
Injection Nozzle	Throttle Type
Injection Timing	20° BTDC
Governor Type	Mechanical RSV
Fuel Selenoid	Energized to Run
Fuel Filter	Full flow, cartridge type
Fuel Delivery	Electric Feed Pump
Fuel	Diesel Fuel (EN590)

PERFORMANCE CURVE



S4Q2 POWER UNIT



LUBRICATION SYSTEM

Lubrication Method	Forced-feed circulation by trochoid gear pump
Oil Pump	Gear Driven
Oil Capacity	6,5 lt
Oil Filter	Full Flow cartridge
Recommended Oil	CD/CE/CF 10W/40 grade semi-synthetic or synthetic

OPTIONS

- (EWI) Engine Wiring
- (CPA) Basic Start Panel
- (ESI1) Industrial type Silencer
- (ESI2) Residential type Silencer
- (BAT) Battery , cables & rack
- (BFR1) Baseframe Std.c/w fuel tank
- (BFR2) Extended Baseframe c/w fuel tank
- (HEX) Heat Exchanger Kit with pipeline
- (CPL) Coupling with its guard
- (TBX) Tool Kit

ELECTRICAL SYSTEM

Charging Alternator	12 V , 50 Amp
Starting Motor	12 V , 2,0 kW
Battery Voltage	12 V
Capacity (Recommended)	102 Ah

UNIT CONVERSION

- HP = kW x 1,3596
- Torque (N.m) = 9549,3 x P(kW) / N(1/min)
- Torque (kg.m) = 716,2 x P(HP) / N(1/min)
- 1 Bar = 1,019726 kg/cm² = 100 kPA
- 1 kW = 0,2388 kcal/s



IDEA MAKİNA İMALAT SAN.VE TİC.LTD.ŞTİ.

İmes San.Sitesi B Blok 205.Sok.No:1
Y.Dudullu - Ümraniye /İstanbul - TURKEY

Tel : + 90 216 313 42 77

Fax : + 90 216 313 42 79

e-mail : info@ideamakina.com.tr